

# EKHR355-4SB

Article No. N63 - 35818

**D/EKH... - Plug Fan**  
with AC-Motor and B-Impeller

- pressure orientated high performance impeller
- different mechanical configurations available
- wide range of voltage- and frequency-controlled configurations

maintenance free operation through lifetime lubricated ball bearings

*Rosenberg AC-Radial fans in combination with a voltage-controllable external-rotor motor form a very compact, efficient and optimized fan unit. They impress with low installation depth and a simple installation. Fast start-up is ensured because of well-integrated components.*



**Applications:**

Air Handling Units / Wind Power / Railway / Compressors / Transformer cooling

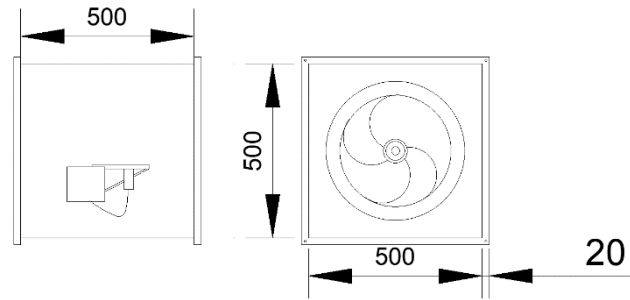
**Technical Data:**

**Nominal - Data:**

Voltage	230	V
Frequency	50	Hz
Input power	0.36	kW
Current	1.85	A
Speed	1420	r/min
Capacitor	8	µF
min. Airflow Temperature	-25	°C
max. Airflow Temperature	55	°C
Delta I	39	%
Inrush Current Ia/In	3.5	
Protection Class	IP 54	
k-Factor	100	m <sup>2</sup> s/h

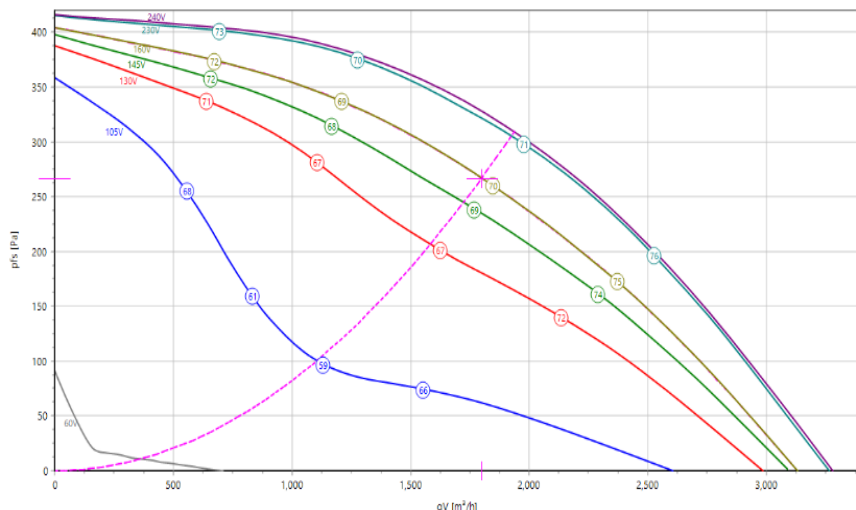
**ErP - Data:**

Airflow	1800	m <sup>2</sup> /h
Pressure	337	Pa
Eff. Grad N	64	
max. Efficiency	48.4	%
Input power	0.35	kW
Speed	1420	r/min
ERP-Status	ERP 2015	

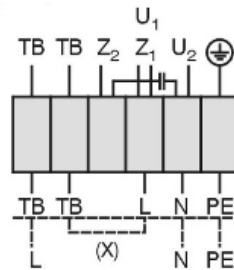


**Sound - Data:**

	Sum	125 Hz	250 Hz	500 Hz	1 kHz	2 kHz	4 kHz	8 kHz	Distance:	1m	4m
LwA(A, in) [dB(A)]	62	50	54	56	56	54	52	45	LpA(A, in) [dB(A)]	55	44
LwA(A, out) [dB(A)]	68	55	57	61	63	62	58	45	LpA(A, out) [dB(A)]	61	50



**Wiring Diagram**



- U<sub>1</sub> braun / brown / brun
- U<sub>2</sub> blau / blue / bleu
- Z<sub>1</sub> schwarz / black / noir
- Z<sub>2</sub> orange / orange / orange

- TB weiß / white / blanc
- PE gelb-grün / yellow-green / jaune-vert

Single phase A.C. motor with operating capacitor and thermostatic switch. Thermostatic switch wired in series with windings if RE controllers are used. Insert bridge (x) and wire connections shown as dash-line on the drawing.

**Accessories:**

- Speed Controller RE 3.2
- Selection of filters

For more information please contact Irish Ventilation & Filtration, e-mail:

[sales@irishvent.ie](mailto:sales@irishvent.ie) or phone: (01) 492 5003

Irish Ventilation and Filtration, Unit C 390 Clonard Road, Dublin, D12 V3PW