

DKHR450-4SB

Article No. N63-45301

D/EKH... - Plug Fan
 with AC-Motor and B-Impeller

- pressure orientated high performance impeller
- different mechanical configurations available
- wide range of voltage- and frequency-controlled configurations
- maintenance free operation through lifetime lubricated ball bearings

Rosenberg AC-Radial fans in combination with a voltage-controllable external-rotor motor form a very compact, efficient and optimized fan unit. They impress with low installation depth and a simple installation. Fast start-up is ensured because of well-integrated components.



Applications:
 Air Handling Units / Wind Power / Railway / Compressors / Transformer cooling

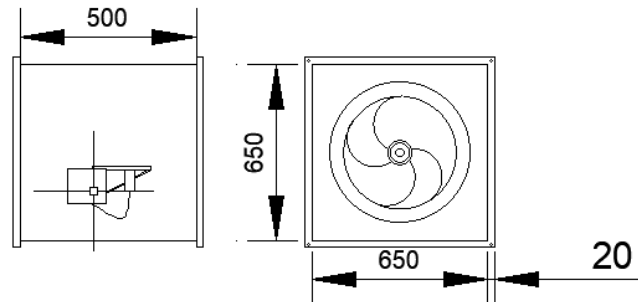
Technical Data:

Nominal - Data:

Voltage	400 D	V
Frequency	50	Hz
Input power	1.19	kW
Current	2.2	A
Speed	1365	r/min
min. Airflow Temperature	-25	°C
max. Airflow Temperature	55	°C
Delta I	3.7	%
Inrush Current Ia/In	4.1	
Protection Class	IP 54	
Weight	18	kg
k-Factor	153	m ² s/h

ErP - Data:

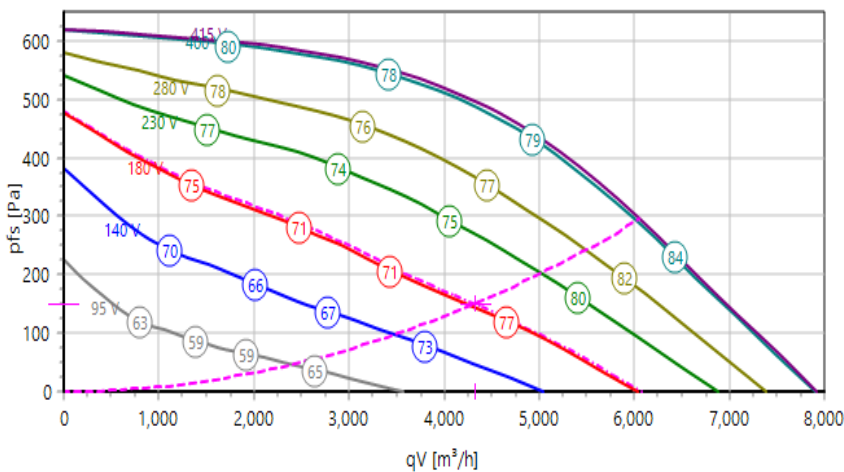
Airflow	4318	m ³ /h
Pressure	512	Pa
Eff. Grad N	63	
max. Efficiency	52.8	%
Input power	1.164	kW
Speed	1360	r/min
ERP-Status	ERP 2015	



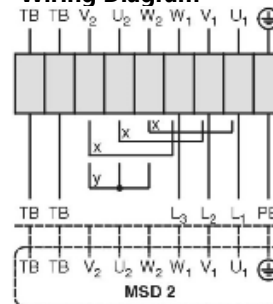
Sound - Data:

	Sum	63 Hz	125 Hz	250 Hz	500 Hz	1 kHz	2 kHz	4 kHz	8 kHz
LwA(A,in) [dB(A)]	69	34	57	61	62	63	63	57	51
LwA(A,out) [dB(A)]	75	45	63	66	68	70	68	64	57

Distance:	1m	4m
LpA(A,in) [dB(A)]	62	51
LpA(A,out) [dB(A)]	68	57



Wiring Diagram



Three phase motor with 2 speeds and thermostatic switch (TB). Speed changing by A/Y-switching. Changing of rotation direction by interchanging of 2 phases. If MSD 2 2-step switching units are used do not insert bridge and connect dotted lines in the wiring diagram to the switching unit.

Accessories:

Speed Controller RTD 3.0

For more information please contact Irish Ventilation and Filtration, e-mail:

sales@irishvent.ie or phone: (01) 492 5003

Irish Ventilation and Filtration, Unit C 390 Clonard Road, Dublin, D12 V3PW