



Characteristics



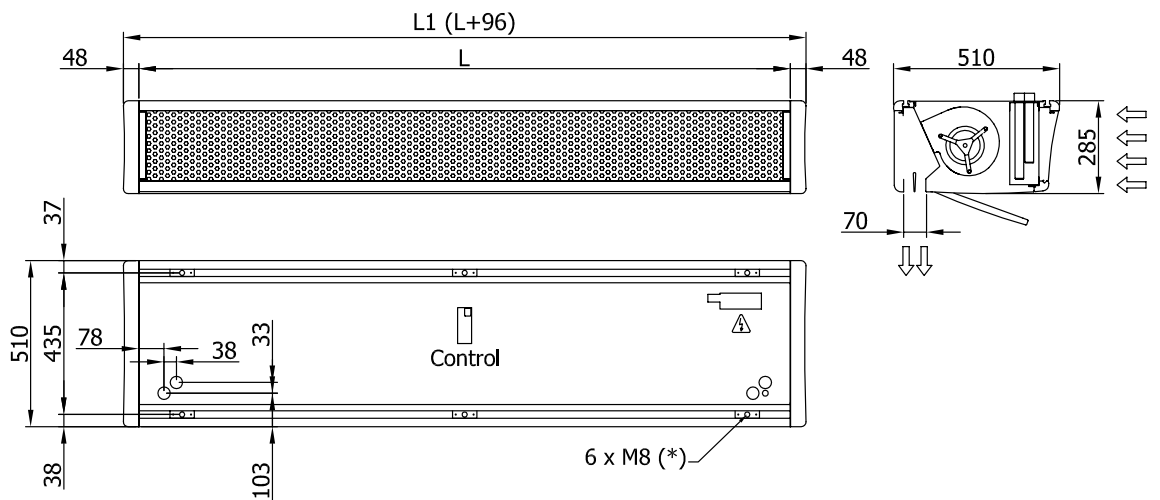
- Structure made of aluminium profiles and zinc plated steel panels, finished in structural epoxy-polyester white RAL 9016 or silver grey RAL 9006 as standard. Other colours are available on request.
- Low noise centrifugal double inlet fans driven by external rotor motor with built in thermal protection contact. Provided by five speed selection.
- Micro-perforated inlet grille with filter functions makes unnecessary an intensive filter servicing, only has to be periodically wiped or vacuumed.
- “P” type includes water heated coils. “E” type includes electrical shielded batteries, three power stages with power switches included. “A” type is without heating, air only.
- Anodised aluminium blow-out vanes, airfoil shaped, adjustable from 0 to 15° each side.
- Control panel and 20m of telephonic cable with fast connectors type RJ45 (Plug & Play), included. Optional: Interface to connect to BMS.

Specifications

Model	Air Flow m3/h	Water Heating Capacity	Water Drop Pressure	Water Connections 80/60°C	Water Heating Capacity	Water Drop Pressure	Water Connections 60/40°C	Electrical Heating Capacity	Fans Power Input	Fans Current	Noise Level (3 m)	Weight kg
		80/60°C kW	80/60°C Pa		60/40°C kW	60/40°C Pa		3x400V-50Hz kW	230V-50Hz kW	230V-50Hz A		
DS 1000 P	1250	8,53	7200	2x3/4"	6,50	2250	2x3/4"	-	0,372	1,68	53	41
DS 1000 E	1300	-	-	-	-	-	-	3/6/9	0,372	1,68	53	43
DS 1000 A	1300	-	-	-	-	-	-	-	0,372	1,68	53	36
DS 1500 P	1875	12,92	3200	2x3/4"	10,62	8300	2x3/4"	-	0,558	2,52	54	61
DS 1500 E	1950	-	-	-	-	-	-	4/8/12	0,558	2,52	54	65
DS 1500 A	1950	-	-	-	-	-	-	-	0,558	2,52	54	53
DS 2000 P	2500	18,11	8300	2x3/4"	14,10	4400	2x3/4"	-	0,744	3,36	55	77
DS 2000 E	2600	-	-	-	-	-	-	6/12/18	0,744	3,36	55	84
DS 2000 A	2600	-	-	-	-	-	-	-	0,744	3,36	55	66
DS 2500 P	3125	22,20	3000	2x3/4"	18,10	8650	2x3/4"	-	0,930	4,20	56	84
DS 2500 E	3250	-	-	-	-	-	-	6/12/18	0,930	4,20	56	91
DS 2500 A	3250	-	-	-	-	-	-	-	0,930	4,20	56	71
DM 1000 P	1800	10,27	850	2x3/4"	8,72	4250	2x3/4"	-	0,510	2,22	54	41
DM 1000 E	1850	-	-	-	-	-	-	3/6/9	0,510	2,22	54	43
DM 1000 A	1850	-	-	-	-	-	-	-	0,510	2,22	54	36
DM 1500 P	2700	16,98	3250	2x3/4"	13,86	6700	2x3/4"	-	0,765	3,33	55	61
DM 1500 E	2775	-	-	-	-	-	-	4/8/12	0,765	3,33	55	65
DM 1500 A	2775	-	-	-	-	-	-	-	0,765	3,33	55	53
DM 2000 P	3600	23,60	8000	2x3/4"	18,58	4900	2x3/4"	-	1,020	4,44	56	77
DM 2000 E	3700	-	-	-	-	-	-	6/12/18	1,020	4,44	56	84
DM 2000 A	3700	-	-	-	-	-	-	-	1,020	4,44	56	66
DM 2500 P	4500	29,16	3860	2x3/4"	23,18	4050	2x3/4"	-	1,275	5,55	57	84
DM 2500 E	4625	-	-	-	-	-	-	6/12/18	1,275	5,55	57	81
DM 2500 A	4625	-	-	-	-	-	-	-	1,275	5,55	57	91
DG 1000 P	2700	13,10	1300	2x3/4"	11,31	6850	2x3/4"	-	0,765	3,33	55	46
DG 1000 E	2775	-	-	-	-	-	-	5/10/15	0,765	3,33	55	48
DG 1000 A	2775	-	-	-	-	-	-	-	0,765	3,33	55	40
DG 1500 P	3600	20,30	4500	2x3/4"	16,72	9400	2x3/4"	-	1,020	4,44	56	67
DG 1500 E	3700	-	-	-	-	-	-	7,5/15/22,5	1,020	4,44	56	71
DG 1500 A	3700	-	-	-	-	-	-	-	1,020	4,44	56	58
DG 2000 P	5400	30,40	12850	2x3/4"	24,18	7900	2x3/4"	-	1,530	6,66	57	87
DG 2000 E	5550	-	-	-	-	-	-	10/20/30	1,530	6,66	57	94
DG 2000 A	5550	-	-	-	-	-	-	-	1,530	6,66	57	76
DG 2500 P	6300	36,00	5700	2x3/4"	28,90	6000	2x3/4"	-	1,785	7,77	58	92
DG 2500 E	6475	-	-	-	-	-	-	10,7/21,3/32	1,785	7,77	58	101
DG 2500 A	6475	-	-	-	-	-	-	-	1,785	7,77	58	81



Dimensions



	L	L1
Deco 1000	1000	1096
Deco 1500	1500	1596
Deco 2000	2000	2096
Deco 2500	2500	2596

Details



Joining two units



Different colour finishes

(*) Adjustable fixing points through guide rail

